

Unical[®]

STEAMER

Instantaneous Steam Generators



INDUSTRIALE

Steam generator GVI-O

- Max. working pressure 12 bar
- Horizontal type - with coil



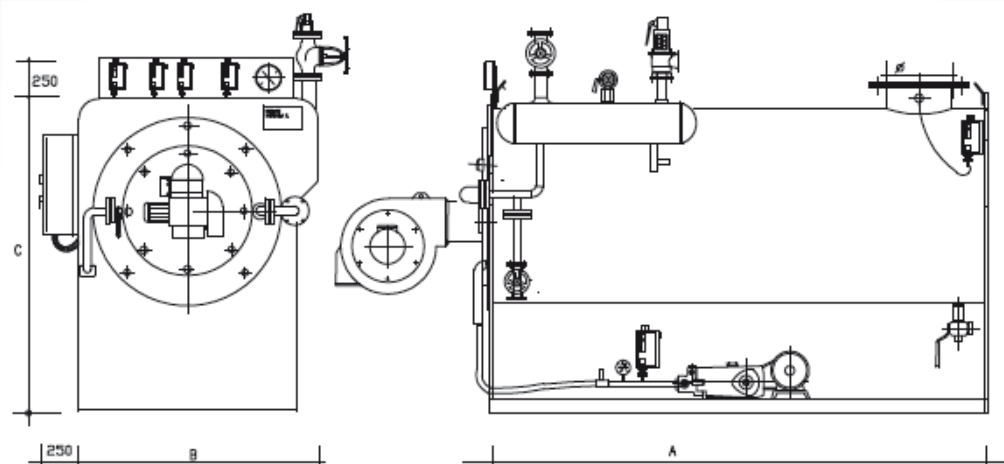
Description:

Forced circulation, horizontal steam generator, three pass type, with an efficiency of 90%.

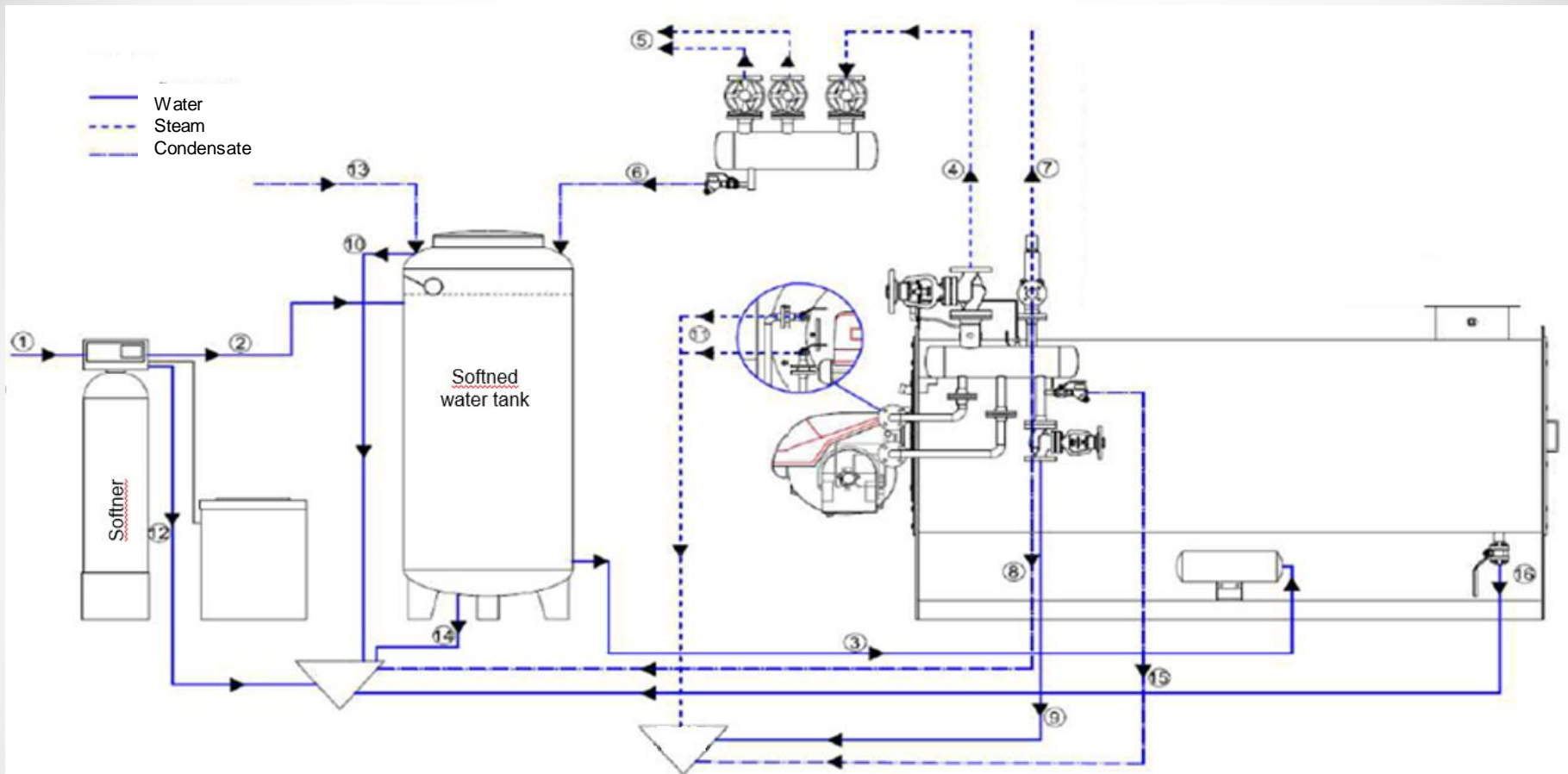
The internal heat exchanger is formed by two concentric coils in carbon steel P235GH. The inner coil constitutes the combustion chamber which is closed at the bottom by a removable plug for inspection, with a layer of refractory material. All the pressure vessel body, including the steam manifold, is made in accordance with PED Directive 97/23 / EC.

The special conformation of the manifold favours the separation of the liquid component from the vapor. The external boiler body is insulated with thick rock wool to prevent the heat losses. The boiler is opened through front and back bolted doors.

The panel board is made of painted sheet metal box, with IP55 insulation degree and, in standard configuration, has: main switch, switch for auxiliary services, burner switch, speed selector, reset button for safety interlocks, digital temperature controller for reading and continuous control of steam temperature and warning lock out lamps for all the safety devices (water lockout, thermal lockout, safety pressure switch, chimney lockout, maximum water pressure, steam lockout and burner lockout).



TIPO/MODEL	GVI-O	200	300	450	750	1000	1200	1500	2000	2500	3000	
Vapore/Steam	kg/h	200	300	450	750	1000	1200	1500	2000	2500	3000	
Potenza/Capacity	Mcal/h	120	180	270	450	600	720	900	1200	1500	1800	
Potenza/Capacity	kW	140	209	314	523	698	837	1045	1395	1745	2093	
Pompe/Pumps	nr.	1	1	1	1	1	1	1	2	2	2	
N. stadi/Stages	nr.	1	2	2	2	2	2	2	2	2	2	
Attacchi vapore/Steam outlets	DN	32	32	40	40	50	50	65	80	80	100	
Acqua/Water	DN	1"	1"	1"	1"	1"	1"	1"1/2	2"	2"	2"	
Camino/Chimney	mm	120	120	160	200	250	300	350	350	450	450	
Pressione max vapore/Steam pressure	kg/cm ²	12	12	12	12	12	12	12	12	12	10	
Perdita carico fumi/Flue pressure drop	mbar	2	2	3	5	5	6	6	8	8,5	8,5	
Lunghezza/Length	A	mm	1250	1250	1500	2000	2400	2650	2650	3000	3300	3740
Larghezza/Width	B	mm	1000	1000	1150	1150	1150	1150	1360	1360	1360	1360
Altezza/Height	C	mm	1150	1150	1350	1350	1350	1350	1600	1600	1600	1600



1	Untreated water	5	Steam outlet to services	9	Discharge at start	13	Condensate return from utilization
2	Softened water	6	Condensate recovery	10	Tank Over flow discharge	14	Tank drain
3	Generator Supply	7	Safety valve Discharge	11	Backwash Discharge	15	Collector condensate discharger
4	Steam outlet	8	Safety valve Condensate drain	12	Drain cleaning resin	16	Condensate drain at start and cleaning

Steam generator GVI-V



- Pressure 12 bar
- Vertical type - with coil

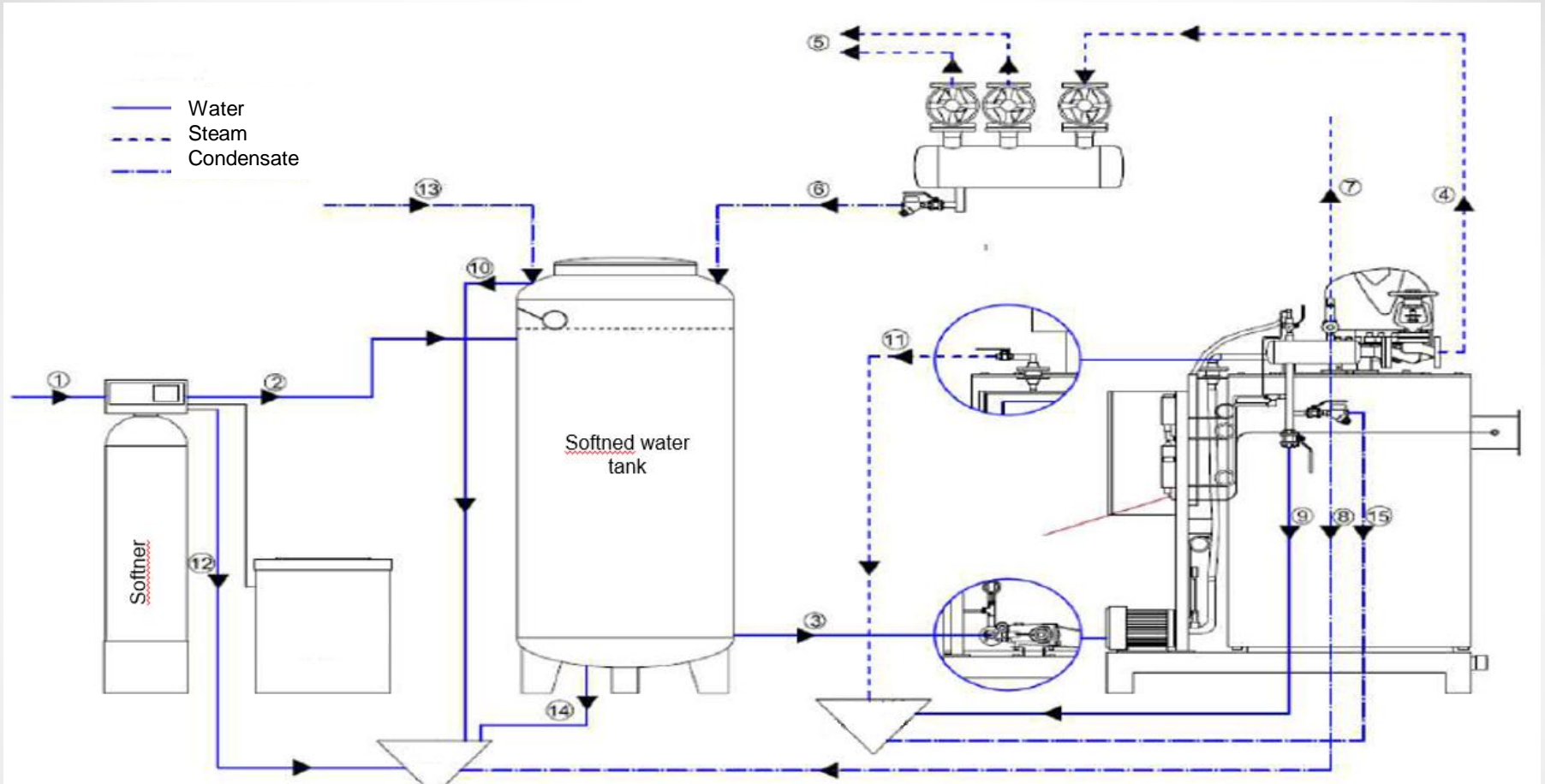
Description:

Forced circulation vertical steam generator, two pass type, with an efficiency of 88%.

The internal heat exchanger is formed by two concentric coils in carbon steel P235GH. The inner coil constitutes the combustion chamber, which lays, with the free end, on a basement in refractory material. All the pressure vessel body, including the steam manifold, is made in accordance with PED Directive 97/23 / EC.

The special conformation of the manifold favours the separation of the liquid component from the vapor. The external boiler body is made in thick structure steel and the basement is in box type section bars. The external boiler body is insulated with thick rock wool to prevent the heat losses. The upper part, constituting the combustion chamber is bolted to the body and can be opened by upwards rotation.

The panel board is made of painted sheet metal box, with IP55 insulation degree and, in standard configuration, has: main switch, switch for auxiliary services, burner switch, speed selector, reset button for safety interlocks, digital temperature controller for reading and continuous control of steam temperature and warning lock out lamps for all the safety devices (water lockout, termal lockout, safety pressure switch, chimney lockout, maximum water pressure, steam lockout and burner lockout).



1	Untreated water	5	Steam outlet to services	9	Discharge at start	13	Condensate return from utilization
2	Softened water	6	Condensate recovery	10	Tank Over flow discharge	14	Tank drain
3	Supply generator	7	Safety valve Discharge	11	Backwash Discharge	15	Condensate drain
4	Steam outlet	8	Safety valve Condensate drain	12	Drain cleaning resin		

ACCESSORIES INCLUDED IN STANDARD SUPPLY

- Casing covering made with mineral wool
- Steam valve outlet
- Discharge valve at started flow
- Safety valve
- Steam safety pressure switch
- Steam maximum pressure switch
- Steam regulation pressure switch
- Electronic thermoregulator for steam control
- Steam pressure manometer
- Water pressure manometer
- Steam temperature thermostat
- Smokes temperature thermostat at manual resetting
- Test tap
- Water flow regulator
- Electric control board
- Water electropump at 3 pistons

Thanks for your attention